



WIRELESS WEIGHING FROM MSI

MSI-9008 Multiplexer

Network Solutions for Industrial Weighing and Process Control

Product Description

The MSI-9008 Multiplexer is an accessory to the MSI-9000 CellScale. It functions as an 8 in and 1 out channel switch. The MSI-9008 expands a single CellScale input to 8 independent inputs.

Due to the truly independent calibration capability of the CellScale, scales can be mixed in any type, capacity and resolution.

The MSI-9008 uses new generation analog switches which have a resistance of less than 5 ohm. This allows the MSI-9008 to be used far from the CellScale without signal degradation due to noise pickup.

In addition, the MSI-9008 provides switching of the excitation voltage. This reduces power consumption by removing power from any channel not currently being addressed. This also expands the load cell driving ability of the CellScale by a factor of four (excitation is switched in pairs).

An 8 segment sunlight visible bar graph provides channel status.

Terminals are provided to permit daisy-chaining of a second MSI-9008 module to allow access to more CellScale input channels. The CellScale has 2 or 4 input channels. Using the maximum number of four MSI-9008 modules permits the CellScale to read 32 independent scale inputs.

Each input is EMI filtered and transient protected.

Hardware Overview

Electronics

- New generation analog switches.
- All inputs transient protected and EMI filtered.
- Excitation switched for reduced power consumption and increased load cell count.
- Screwless terminals for all wires. Accommodates AWG 16 to 24 wire
- Designed for AC or DC excitation.
- The Mux channel is controlled by a three bit signal from the CellScale.

Housing

- Rugged milled aluminum, O-ring gasketed, NEMA 4, IP65 (NEMA 6, IP67 with optional connectors by special order)
- 8 waterproof feedthroughs for load cell cabling and 1 large feedthrough for output to CellScale

Cabling

- Comes with 3m (10ft) interface cable to the CellScale. Longer cables available by special order
- User supplies all other cables (usually part of the load cell or scale). Feedthrough connectors accommodate round cables with diameters from 4mm (0.16in) to 8mm (0.31in)

Specifications

Dimensions

- 223mm x 140mm x 48mm (50mm including cover screws)
- 8.75in x 5.5in x 1.9in (1.925in including cover screws)

Weight

- 1.6kg (3.5lb)

Output Impedance

- <5 ohm per signal lead

Error

- No measurable degradation of the CellScale accuracy

Temperature

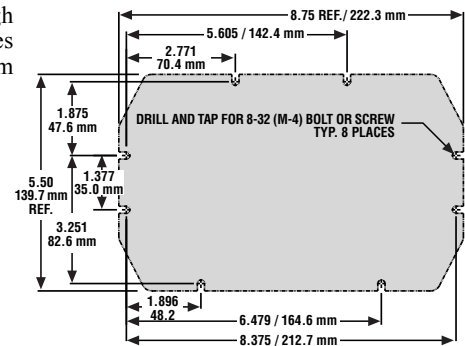
- Operating / Storage:
40°C to +70°C (-40°F to +158°F)

RFI/EMI Shielding

- Exceeds NIST HB44 and CE Standards

Accessories

- Industrial PUR, 6 pair shielded cable (used for wiring between multiplexers)



ENCLOSURE DIMENSIONS



Specifications subject to change without notice.

PUB.258-03-00E Printed in U.S.A.
© 2006 by Measurement Systems International, Inc.
CellScale® is a registered trademark of Measurement Systems International, Inc.

"We weigh quality first"

Measurement Systems International

Davco Weight Scales Inc.
P.O. Box 4104 Quesnel BC Canada V2J 3J2
Phone:250-747-8371 • Fax:250-747-8372
Web: www.davco.bc.ca • Email: davco1@telus.net