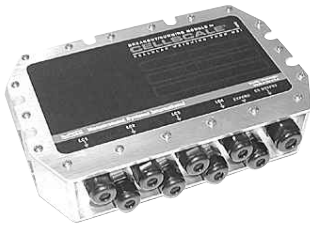


WIRELESS WEIGHING FROM MSI

# MSI-9002 Summing Box

Network Solutions for Industrial Weighing and Process Control



## Product Description

The MSI-9002 Breakout/Summing Box is an accessory to the MSI-9000 CellScale. It functions as a standard 4 in and 1 out Summing Box, but also has the unique ability to function as a 4 in and 2 out dual summing box. This allows two channels of the CellScale to access two pairs of summed load cells.

Terminals are provided to permit daisy-chaining of a second MSI-9002 module to allow access to more CellScale input channels.

The MSI-9002 has the high end feature of switches on each input allowing complete removal of summing sections for calibration, test and troubleshooting.

Each input is EMI filtered and transient protected.

## Hardware Overview

### Electronics

- 4 precision metal film summing resistors with 15 turn pots
- All inputs transient protected and EMI filtered
- Each input can be switched in or out
- Screwless terminals for all wires. Accommodates AWG 16 to 24 wire
- Designed for AC or DC excitation
- Uses signal trim summing

### Housing

- Rugged milled aluminum, O-ring gasketed, NEMA 4, IP65 (NEMA 6, IP67 with optional connectors by special order)
- 8 waterproof feedthroughs for load cell cabling and 1 large feedthrough for output to CellScale

## Cabling

- Comes with 3m (10ft) interface cable to the CellScale. Longer cables available by special order
- User supplies all other cables (usually part of the load cell or scale)
- Feedthrough connectors accommodate round cables with diameters from 4mm (0.16in) to 8mm (0.31in)

## Specifications

### Dimensions

- 223mm x 140mm x 48mm (50mm including cover screws)
- 8.75in x 5.5in x 1.9in (1.925in including cover screws)

### Weight

- 1.6kg (3.5lb)

### Summing Impedance

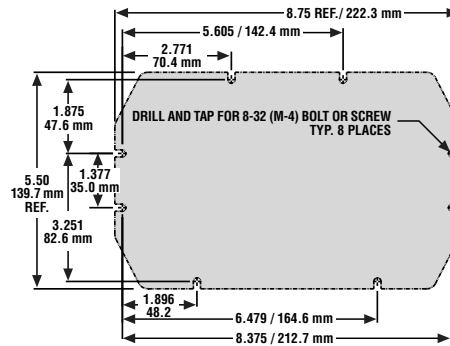
- 1,000 ohm per signal lead

### Temperature

- Operating / Storage: 40°C to +70°C (-40°F to +158°F)

### RFI/EMI Shielding

- Exceeds NIST HB44 and CE Standards



ENCLOSURE DIMENSIONS



Specifications subject to change without notice.

PUB.257-03-00E Printed in U.S.A.  
 © 2006 by Measurement Systems International, Inc.  
 CellScale® is a registered trademark of Measurement Systems International, Inc.

*"We weigh quality first"*



Davco Weight Scales Inc.  
 P.O. Box 4104 Quesnel BC Canada V2J 3J2  
 Phone: 250-747-8371 • Fax: 250-747-8372  
 Web: www.davco.bc.ca • Email: davco1@telus.net